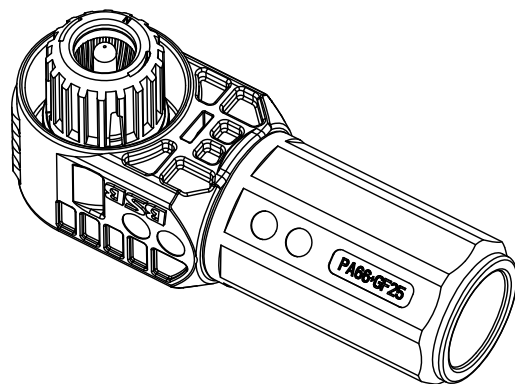
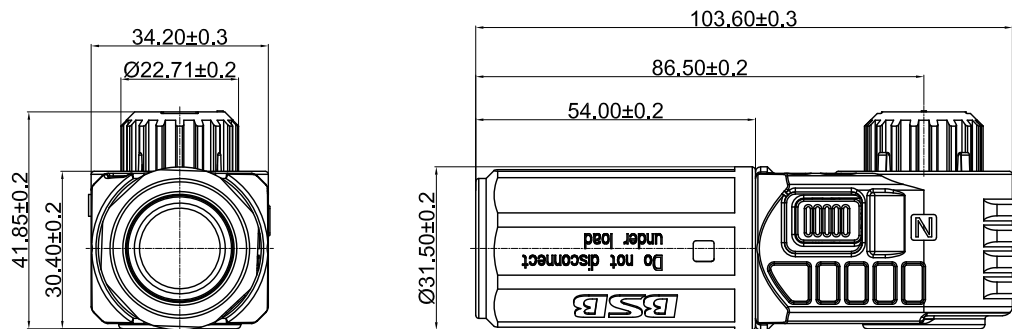


The Plug appearance and dimensions of E120 Series

E120系列储能连接器插头外形尺寸



ELECTRICAL PERFORMANCE 电气性能		PHYSICAL PERFORMANCE 物理性能	
RATED VOLTAGE 额定电压	2000V DC MAX	PROTECTION GRADE 防护等级	IP67 AFTER INSERTION
RATED CURRENT 额定电流	350A MAX	WORKING HUMIDITY 工作稳定	-40℃~+125℃
INSULATION RESISTANCE 绝缘电阻	2000MΩ (1000V DC)	SALT SPRAY LEVEL 盐雾等级	48H
WITHSTAND VOLTAGE REQUIREMENTS 耐压要求	5000V DC 60S	MECHANICAL LIFE 机械寿命	500 TIMES
CONTACT RESISTANCE 接触电阻	0.2mΩ MAX	VIBRATION REQUIREMENTS 振动要求	QC/T 1067.1-2017 (V1 LEVEL)

Technical Requirements:

技术要求:

1. After reassembling the plug and socket components, it is necessary to try plugging and unplugging them 5 times.

1. 插头和插座组装后, 插拔5次

2. Check the number of terminals is correct, make sure no defects in the appearance of the product.

2. 检查产品数量是否正确, 确保产品外观无缺陷

3. When shipping, the product part number, name, and date need to be marked.

3. 发货时, 需要标记产品部件号、名称和日期

4. Quality guarantee period: Five years

4. 质量保证期: 五年

5. Plastic shell material: PA66-NPG25 24-27%GF

5. 塑料外壳材料: PA66-NPG25 24-27%GF

6. Terminal alloy type: Copper T2

6. 端子材料: T2

7. Flame retardant grade: UL94 V-0

7. 阻燃等级: UL94 V-0

Product Part number 产品选型						
NO 序号	Plug P/N 料号	Key position 键位	Color 颜色	Adaptor Diameter 适配线径	Rated current 电流	Remark 备注
1	B-E120-P01-02-N01	N	Orange	2/0 AWG (70mm ²)	250A	
2	B-E120-P01-02-A01	A	Black	2/0 AWG (70mm ²)	250A	
3	B-E120-P01-03-N01	N	Orange	3/0 AWG (95mm ²)	300A	
4	B-E120-P01-03-A01	A	Black	3/0 AWG (95mm ²)	300A	
5	B-E120-P01-04-N01	N	Orange	4/0 AWG (110mm ²)	350A	
6	B-E120-P01-04-A01	A	Black	4/0 AWG (110mm ²)	350A	

Version no.	Change Date	Before Change	After Change	Signature
A0	/	/	/	

Revisions Record

BSB 百事宝电器股份有限公司 ZHEJIANG BSB ELECTRICAL CO., LTD				
NAME: E120 SERIES ENERGY STORAGE CONNECTORS				
PART NUMBER	see attached table		DRAWING NO	
SPECIFICATION USED ONLY		SCALE: 1:1	SHEET: 1 OF 1	REV: A0