

# BSBC7 Series DC Contactor Specification

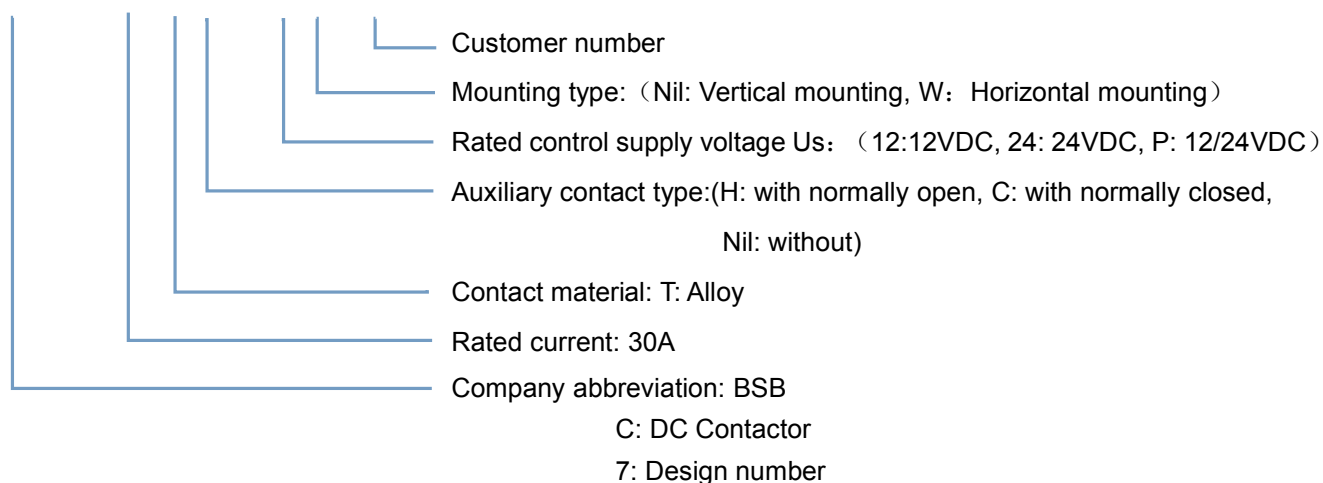
<b>Customer</b>	General Specification
<b>Product Name</b>	DC Contactor
<b>Part Number</b>	BSBC7-30T-12 BSBC7-30TH-12 BSBC7-30TC-12 BSBC7-30T-24 BSBC7-30TH-24 BSBC7-30TC-24 BSBC7-30T-12W BSBC7-30TH-12W BSBC7-30TC-12W BSBC7-30T-24W BSBC7-30TH-24W BSBC7-30TC-24W BSBC7-30T-P BSBC7-30TH-P BSBC7-30TC-P
<b>Date</b>	2025/03/01
<b>Version</b>	2025V1.0

## Feature

- Safe:** Fully sealed with epoxy resin, contact and coil will not be oxidized, product performance is not affected by external environment, no arc outbursts, can be worked in explosive and harmful environment.
- Reliable:** Adopt DC high voltage non-polarity design, the breaking capacity is higher and more reliable, convenient and reliable installation or wiring.
- Good for environment:** All components meet the latest ROHS environmental requirements.
- Application :** Ordinary, quick charging, auxiliary contactor. Can be used in EV, charging equipment, photovoltaic system, etc.
- Approval:** UL, CE, TUV

## Ordering

BSBC7- 30 T H -12 W /XXX



**Basic Parameter**

Contact parameter			Coil parameter			
Main contact	Rated operational current Ie	30A	Product type		Standard	Energy-saving
	Rated operational voltage Ue	12~1000VDC	Rated voltage Us(VDC)	12	24	12/24
	Min. load	1A12VDC	Operating voltage range (VDC)	9~16	18~32	8~36
	Main contact type	1SH (SPST NO DM)	Pick up voltage (VDC)	≤9	≤18	7~8
	Nominal resistance of main circuit	2 mΩ (@30A)	Release voltage (VDC)	1.2~3.6	2.4~7.2	5~6
	Main contact mounting	M5 internal thread	Coil power	5.5W	6W	holding: 1.6W
	Connecting torque	3~4N·m	Inrush current	0.46A	0.25A	2A (0.1s)
	Max. switching current (more than one cycle)	300A320VDC	Holding current	0.46A	0.25A	0.133A@12V 0.067A@24V
			Pick up time (@Us)	≤30ms		≤45ms
Auxiliary contact	Max. current	30VDC 0.8A	Release time (@Us)	≤10ms		
	Min. current	8VDC 100mA	Bounce time (@Us)	≤5ms		
	Contact resistance	<0.15Ω				

Note: The above parameters are normal temperature rating, if other parameters needed, can customize.

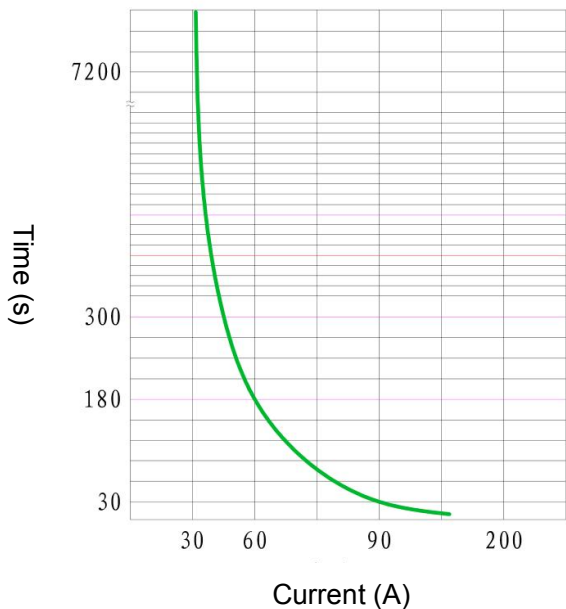
Life characteristics		
Mechanical Life	300,000 cycles	
Resistivity load life (L/R≤1ms)	See next page	
Capacitive load life (RC=1ms , only for connecting)	90A	50,000 cycles
Note: For capacitive load life, when the contactor is used to control the main circuit of charge and discharge, the pre-charge circuit should be added. If there is no pre-charging path, a transient large current will be generated when the contactor closes, which may cause the contactor to stick.		

Environmental characteristics		
Shock	Stability test	196m/s <sup>2</sup> (20G)
	Strength test	490m/s <sup>2</sup> (50G)
Resistance to vibration		10~200Hz, 5G
Operating ambient temperature		-40℃~+85℃
Operating ambient humidity		5%~85% RH
IP Grade		IP67(inner space)
Altitude		≤4000m

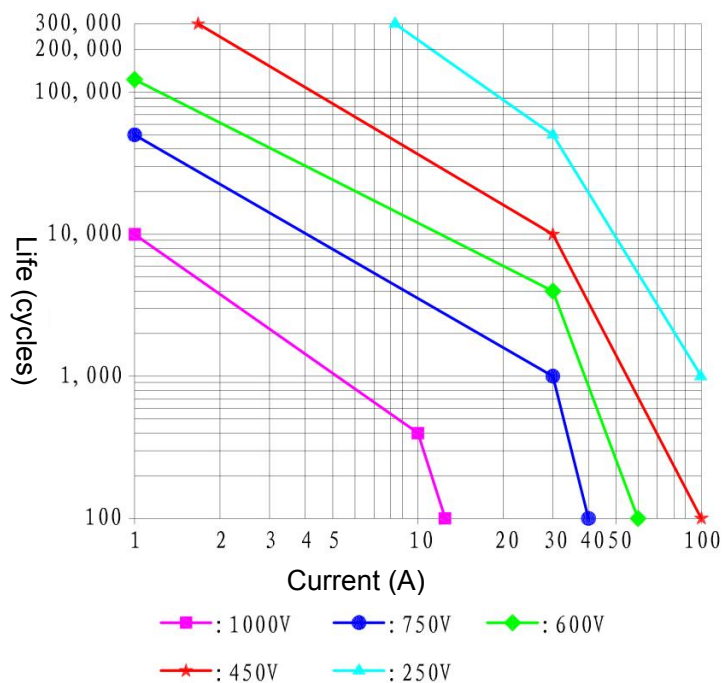
Electrical characteristics	
Dielectric withstand voltage	/AC3000V
Insulation resistance	≥1000MΩ@1000VDC
Nominal insulation voltage Ui	1000V

Other	
Weight	Standard: 190g, with auxiliary 195g Energy-saving: 205g, with auxiliary 210g
The cross sectional area of an external conductor	≥6mm <sup>2</sup>
Case mounting hole torque	MAX 2.3 N·m

**Short overload capacity curve**



**Cut-off life curve of resistive load**

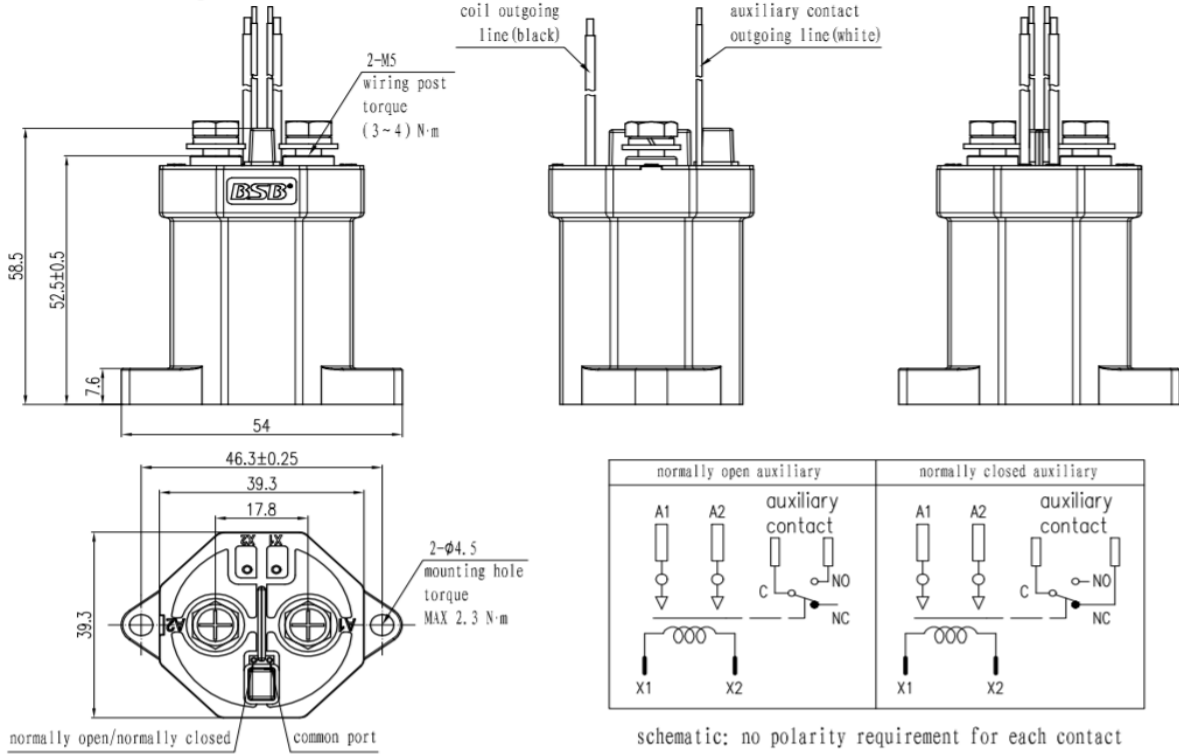


Note: Except for special note, the ambient temperature of electrical durability test is 23°C, and the on-break ratio is: 1s: 9s

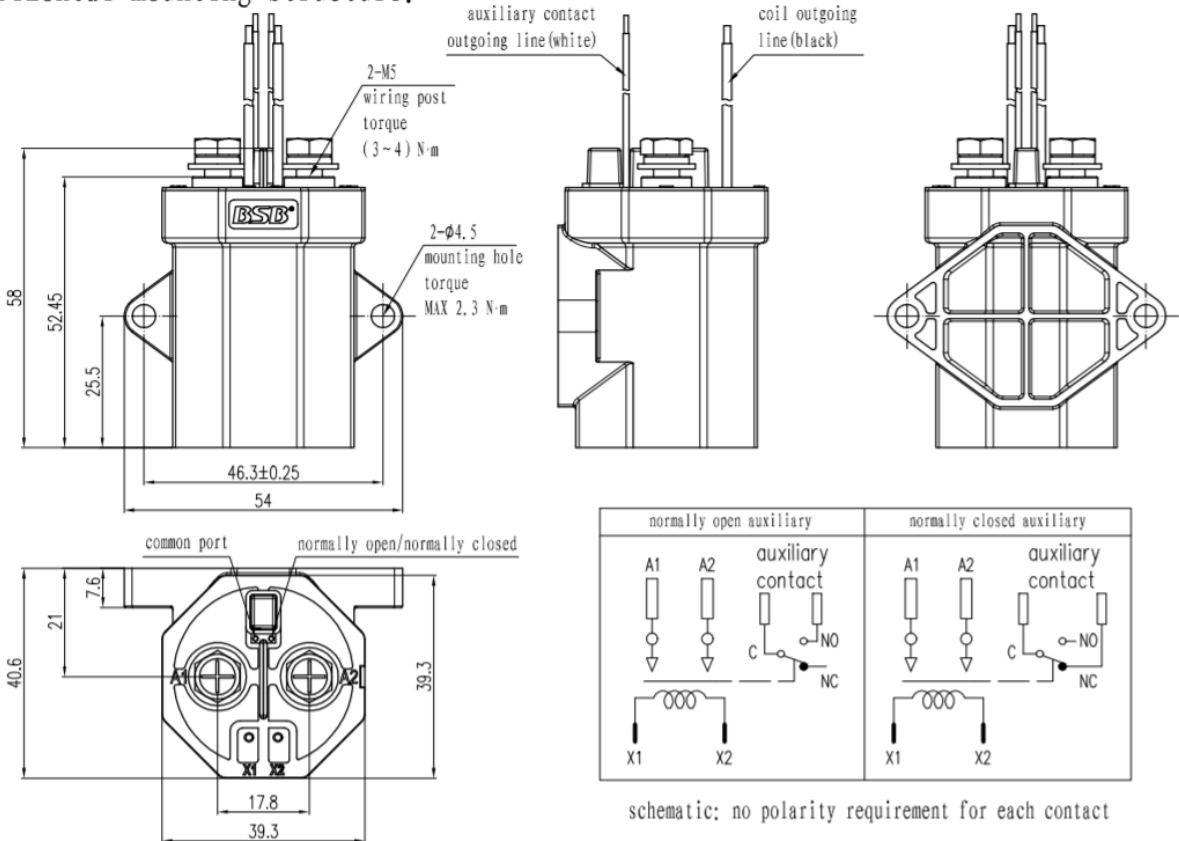
## Outline and wiring schematic diagram

### Standard

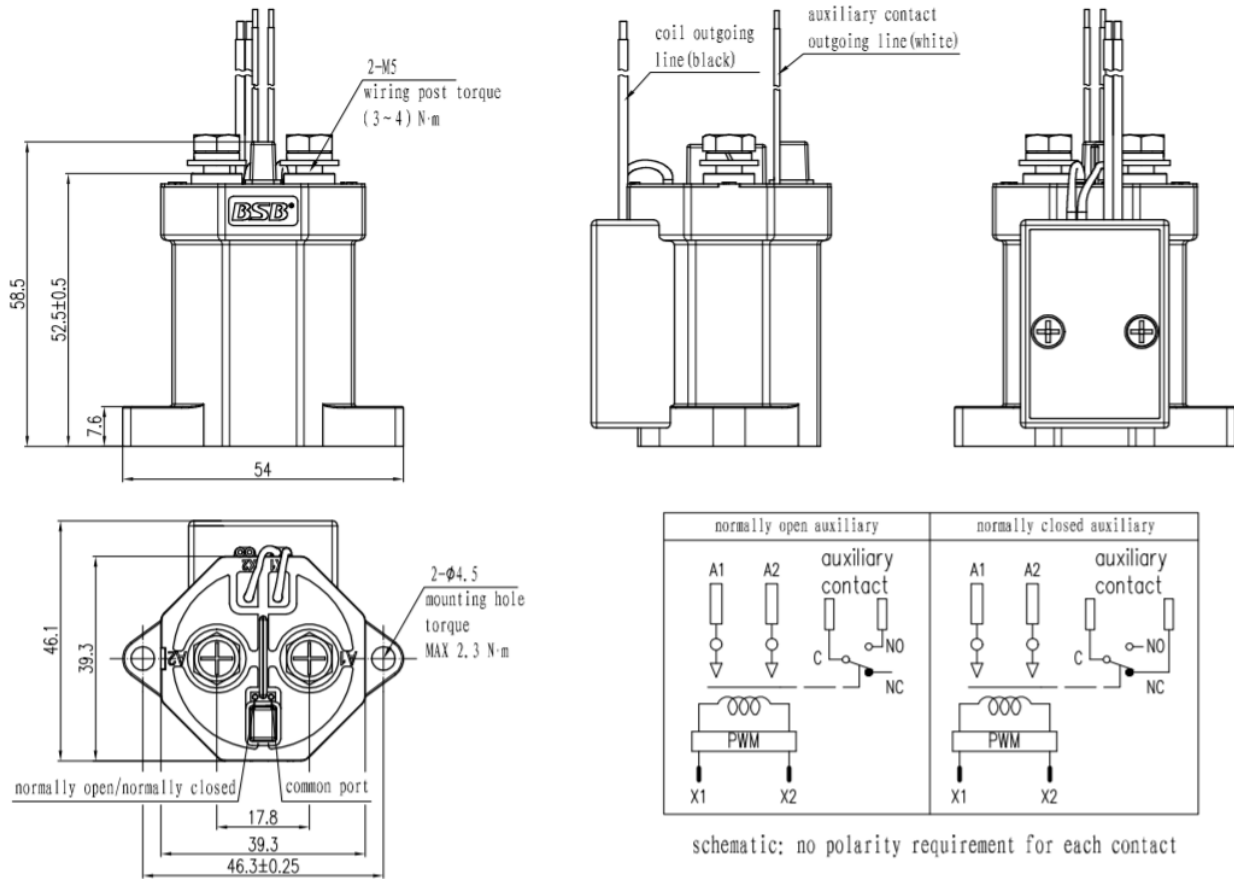
Vertical mounting structure:



Horizontal mounting structure:



**Energy-saving**



Note: Control coil wire length 300±20mm

Product without tolerance, when ≤10mm, tolerance ±0.3mm

When dimension between 10~50 mm, tolerance ±0.5mm

When dimension ≥50mm, tolerance ±0.8mm

## Notice

1. Using spring washers to prevent loose screws when installing contactors.

2. The torque range for tightening screws is specified in the accompanying table. Exceeding the maximum torque may cause the product to break. There is no polarity requirement for the main contact and the lead of the control coil of this contactor.

3. The main contacts and control coil leads of this contactor are non-polarized, meaning there are no polarity requirements.

4. Products equipped with an economizer feature a built-in reverse surge absorption circuit, eliminating the need for an external surge protector. For products without an economizer, it is recommended to install a varistor or TVS diode with a voltage rating of 1.5 to 2 times the coil voltage at the coil terminals as a surge protector. The use of diodes should be avoided, as they may reduce the product's breaking capacity.

5. Do not use products that have been dropped or subjected to impact. 6. Avoid placing the product near a strong magnetic field (near a transformer or magnet) or near an object with thermal radiation.

6. Avoid installing the product in areas with strong magnetic fields (e.g., near transformers or magnets) or in close proximity to self-heating components (e.g., fuses, shunt resistors). If the distance is too close, it is advisable to conduct a temperature rise test to confirm the acceptable temperature range and prevent the contactor from overheating or burning out.

### 7. Electrical life

This contactor is a high-voltage DC switch. In its final breakdown mode, it may lose its proper cutting function, so it should not be used beyond its switching capacity and life parameters (please treat this contactor as a product with specified life, and replace it if necessary). Once the contactor loses its disconnection ability, it may not work properly, so design the circuit diagram to ensure that the power can be cut off within one second.

### 8. Diffusion life of internal gas

The contactor adopts sealed bin contact, and the bin is filled with gas. The diffusion life of the gas is determined by the temperature in the contact bin (ambient temperature + temperature rise generated by contact electrification), so the ambient temperature should be  $-40^{\circ}\text{C} \sim +85^{\circ}\text{C}$

9. If the coil and contact of the contactor are continuously passed at the rated voltage (or current), the power was cut off and switched on immediately. At this time, as the temperature of the coil increases, the

resistance of the coil will increase, which will increase the product's closed voltage, may cause excess of rated closed voltage. In this case, the following measures should be taken: Reduce the load current, limit the duration of continuous power or use coil voltage higher than the rated suction voltage.

10. For resistive load, the rated main contact rating shall apply, and for inductive load (L load) with  $L/R > 1$  millisecond, an inrush current protection device shall be connected to the inductive load in parallel.

11. The drive circuit power of the product coil must be greater than that of the product coil, otherwise the cutting ability of the product will be reduced.

12. Be careful not to let sundries and grease on the main lead out end, and the external wiring terminal should be in reliable contact with the main lead out end of the product, or it may cause the lead out end heat.

13. For the specification products with energy saving plate, after being connected, the coil will start to switch automatically after about 0.1 seconds. Do not repeatedly turn off at that position, which may damage the contactor.